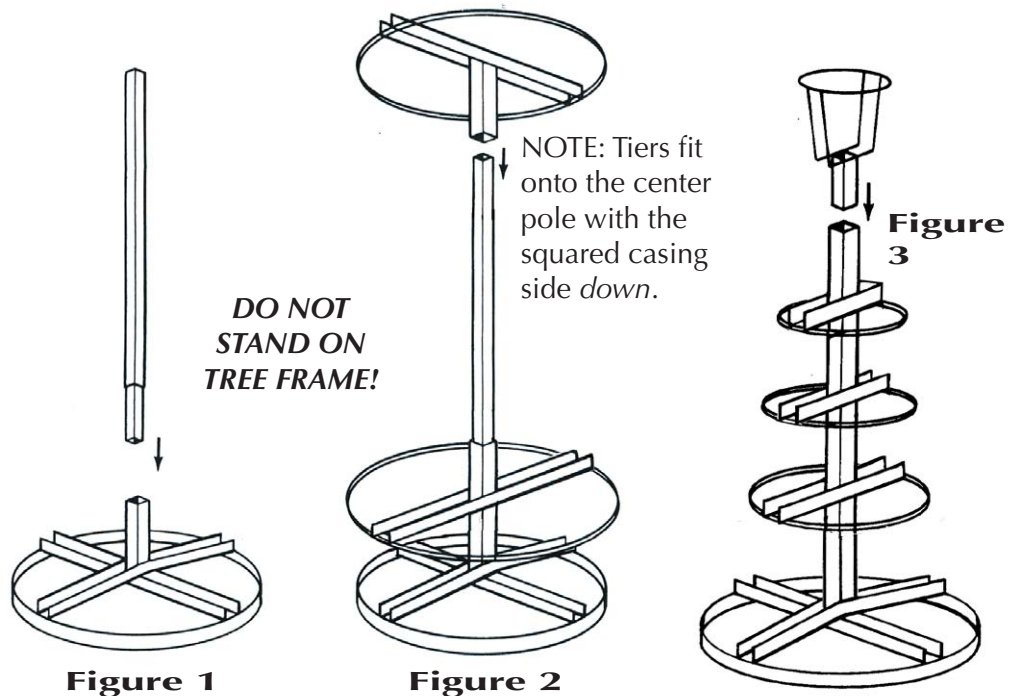
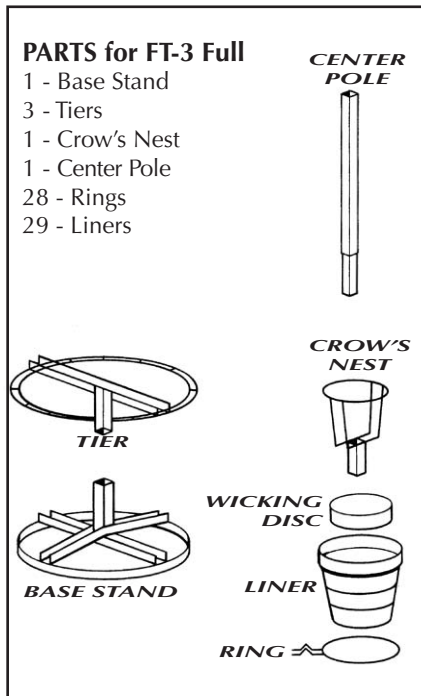


# Holiday Splendor

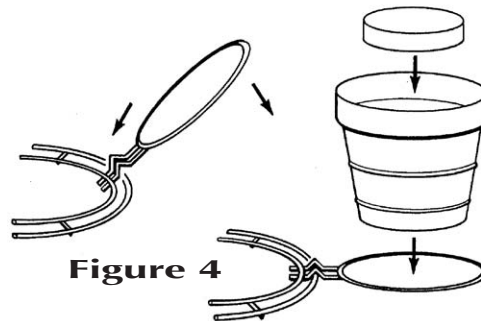
## Setting up your 3-Foot Flowering Tree Frames

Thank you for ordering a Flowering Tree Frame Display from Primescape Products. This unit comes complete with enough pot rings and water-tight plant holders to fill the frame. If you have any questions during your installation of the frame, please feel free to call us toll-free, 8:00 am to 4:30 pm (cst) and we would be happy to assist you.



The above illustration shows an FT-3 Full frame.

1. Insert base center pole into base stand (Figure 1).
2. Slide largest tier into place, then slide the next largest, etc. (Figure 2).
3. Insert crow's nest into top of center pole (Figure 3).
4. Rings fit into tiers so that curved portion of the prongs fit snugly OVER the wire frame of the tier.
5. Liners drop into rings (Figure 4).
6. If you purchased capillary wicking disks, place one in the bottom of the liner and add water (about 2 cups per disk).



### DECORATING TIPS

- Use single stem, double-pinched plant material 15"-18" high.
- You may need to bend rings downward to show more crown of the plant.
- Use Oasis Disks or AquaFür as an aid for watering plants.
- Keep and store shipping carton for convenient storage of the flowering tree frame.



### Primescape Products

485 East Half Day Road; Suite 450  
Buffalo Grove, IL 60089-8819  
800-872-4361 • 847-634-4126 (FAX)